

Lone Star
MARINE
DRUM WINCHES & ACCESSORIES

Lone Star
MARINE USA

Better Winches by Design



HAULMASTER-1500

Modular Line Hauling System

www.lonestarmarine.com.au (Worldwide)
www.lonestarwinches.com (North America)



Pot Hauling, Long Lining, Drop Lining, Down Rigging, Gurdie Fishing & Deep Dropping...

The **HAULMASTER-1500** does it all!

Fully sealed & fabricated from marine rated aluminium, the HAULMASTER 1500 is no lightweight.

Frame and boom are 50mm OD with 6mm (1/4 inch) wall thickness.

Both can be trimmed to suit your vessel and purpose.

Massive 1500W motor and 98mm gearset ensures maximum torque for the longest life. There are no free-hanging cables to trip over.

The HAULMASTER 1500 includes an IP67 plug with 16ft twin sheath cable rated to 150 amp.

Purchase this unit set up for your primary purpose and add spools for additional functions as required.



HAULMASTER 1500-PH



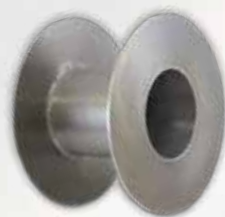
HM 10-LP

HM-BOOM

HM-OS

&

HM-BH



HM-LLS



HM-DRL



HM-DDS



HM-PL

HM-TM

&



HM-GSM



HM-FRAME



HM-LEAD



HM-BFM

& HM-BPM



HM-TOOL

- Modular Line Hauling System
- Fully Sealed 1500w Drive
- 300mm power sheave grips rope from 6mm-14mm with no slippage
- Hands free hauling
- No need to tie off when swinging pot into the boat
- Lift & Locking pins for easy positioning
- Self-Coiling rope guide
- Anodized Aluminium directional lever
- Removable Power Lead with IP67 Plug
- Assembled PTO Clips for fast disassembly
- 50mm OD aluminium w/6mm wall thickness on frame and boom
- Frame post & boom can be cut to suit your vessel & purpose
- Through gunnel or inside gunnel mounting options
- Includes frame, boom, open sheave, pot hook, lead, and mounting hardware
- 5 Year Recreational/ 3 Year Commercial Warranty

**You've designed a beast of a hauler!
Great job gentlemen, 5 stars, A+, strongly
recommend. We LOVE this thing!**

- Kelly Johnson (Washington, USA)



HAULMASTER 1500-PH

HAULMASTER 1500-LL



HAULMASTER 1500-DR

HAULMASTER 1500-DD

HAULMASTER 1500 SPECIFICS

INCLUSIONS

HAULING SPEED

RECOMMENDED WORKING LOADS

*vary with Duty Cycle - see below

HAULMASTER 1500-PH

Includes complete Pot Hauling disk with capstan (direct drive). If you are planning to use the HAULMASTER 1500 as a Pot Hauler + another application, purchase the PH version then the changeover accessory to secondary operation.

Large Sheave can accommodate rope from 6-14mm.

60m/205ft per minute with large sheave.
30m/102ft per minute with capstan.

Large Sheave (Droplining w/Rope - Pot Hauling)

- 1000m Run Constant Cycle 70kg/150lb
- 100m Run Constant Cycle 120kg/264lb

Caspstan

- 1000m Run Constant Cycle 150kg/330lb
- 100m Run Constant Cycle 318kg/700lb

HAULMASTER 1500-LL

Includes aluminium Long Line spool (with clutch). If you are planning to use the HAULMASTER 1500 as a Long Line unit only purchase this configuration. If you are using it as a Pot Hauler + Long Lining purchase the PH version then add a HM-LLC (long line spool changeover kit).

Spool Capacity 1000m of 3mm monofilament.

60m/205ft per minute with full spool.
30m/102ft per minute with empty spool.

Longline Spool

- 1000m Run Constant Cycle 70kg/150lb
- 100m Run Constant Cycle 120kg/264lb

HAULMASTER 1500-DD

Includes machined anodised aluminium spool (with clutch). If you are planning to use the HAULMASTER 1500 as a Deep Drop unit only purchase this configuration. If you are using it as a Pot Hauler + Deep Dropping purchase the PH version then add a HM-DD (deep drop spool changeover kit).

Spool Capacity 1500m of .65mm braid.

50m/175ft per minute.

Deep Drop Spool

- 1000m Run Constant Cycle 70kg/150lb

HAULMASTER 1500-DR

Includes aluminium reinforced HD plastic spool (direct drive). If you are planning to use the HAULMASTER 1500 as a Downrigging/Gurdie Fishing unit only purchase this configuration. If you are using it as a Pot Hauler + Down Rigging purchase the 1500-PH version.

Spool Capacity 1200m of 2mm or 500m of 3mm line.

50m/175ft per minute with full spool.
30m/102 ft per minute with empty spool.

Down Rigging Spool

- 1000m Run Constant Cycle 70kg/150lb
- 100m Run Constant Cycle 120kg/264lb

*We recommend trimming the boom to shortest length required when used for applications where the weight regularly exceeds 70kg/150lb.

1 Bolt Change-Over Kits - Any Function To Another in 2 Minutes!

HM-LLC



Long Lining with Mono

HM-DD



Deep Dropping with Braid

HM-DRC

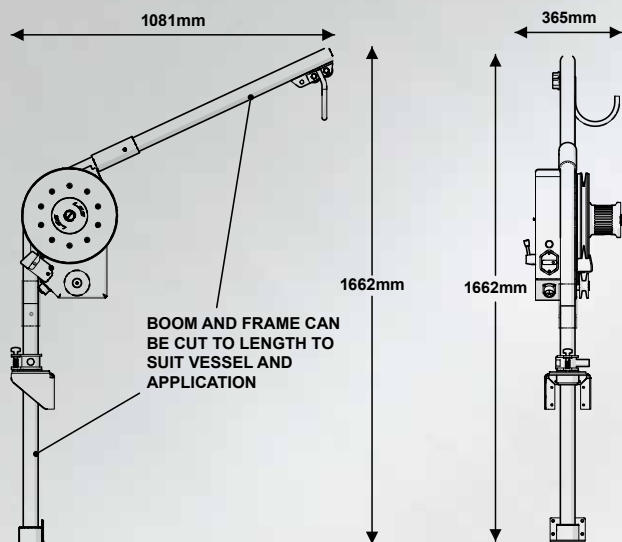


Down Rigging / Gurdie Fishing

HM-PHC



Pot / Line Hauling



SPARES



Folbe Open Sheave



LL & DD Clutch Plate



Rubber V Sheave



Power Lead & Plug



Mounting Hardware for Multiple Positions

WHO ARE LONE STAR MARINE? WHAT ELSE DO LSM MAKE?

All kinds of cool stuff! LSM are known World Wide for their innovation & GX Series of drum anchor winches & accessories.

We design and manufacture winches, anchors, electric fishing systems, pot haulers, and all related accessories.

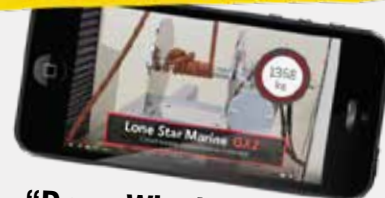
Basically if its boating related and needs to pull line, we make it. We take pride in originality, superior design, in house manufacturing, and provide the absolute best in customer service.

We manufacture anchor winches & fishing systems for recreational and commercial users across the globe.

LSM was founded in 2011 by a transplanted American, we live & manufacture in Australia.

We believe no industry leader attains that position by letting someone else do all the work, which is why we manufacture the bulk of our products in Australia, not China.

Do your research before buying!



"Drum Winch Shootout available on YouTube"

Our commitment to quality has certainly paid off, check out the Drum Winch Shootout on YouTube to see why LSM are at the Apex of drum Anchor Winch Performance & Reliability.



GX SERIES ANCHOR WINCHES



TENDER WINCH



HDC-100 HEAVY DUTY CAPSTAN



DDW-250

TO VIEW THE DRUM WINCH SHOOTOUT RESULTS AND PRESS RELEASE VISIT:
WWW.LONESTARMARINE.COM.AU/WORLDS-FIRST-DRUM-WINCH-SHOOTOUT